

**MANUAL – INSTALLATION**

---

# Architectural Modular Panel (AMP)

Installation Manual

v001 – Issue Date: 03/31/22

© 2022 Price Industries Limited. All rights reserved.

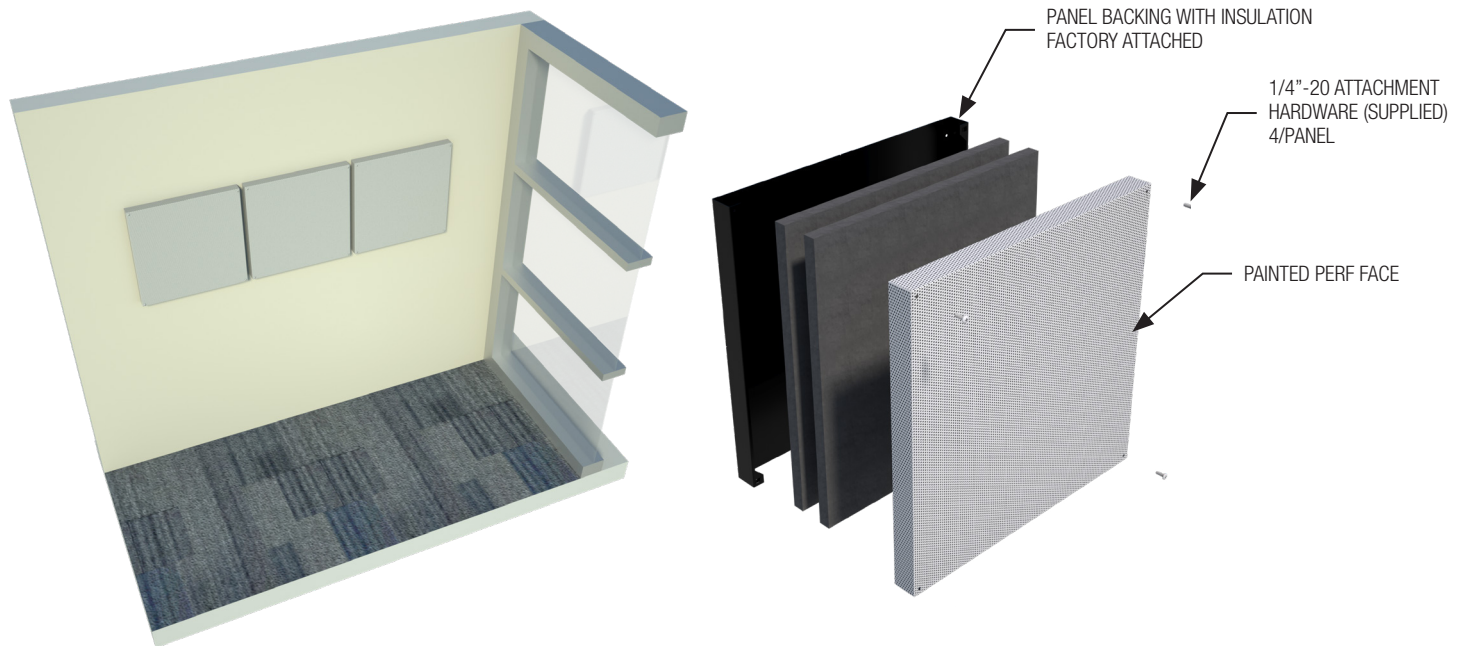
**PRICE** | **NOISE CONTROL**

# AMP PANELS

## INSTALLATION INSTRUCTIONS

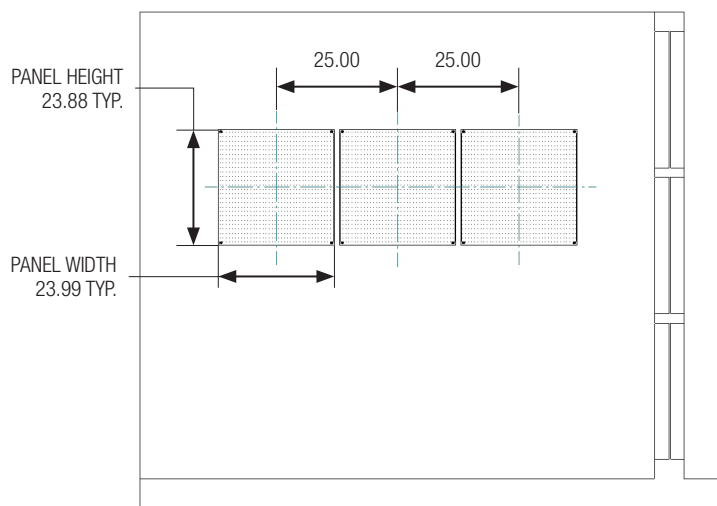
1. Price AMP panels are shipped fully assembled.
  - Remove 1/4" face screws and remove perf skin from panel
  - Place perf skins, face up on flat, smooth surface to reduce any potential finish damage

**FIGURE 1** ▼



2. Refer to any supplied array layout drawings. See figure 2 for example.

**FIGURE 2** ▼



NOTE: PANELS AND ARRAY MAY NOT BE EXACTLY AS SHOWN

### TOOLS REQUIRED:

- 4' level
- Torpedo style level
- Tape measure
- Pencil
- Phillips head screw driver
- Mounting hardware & tools

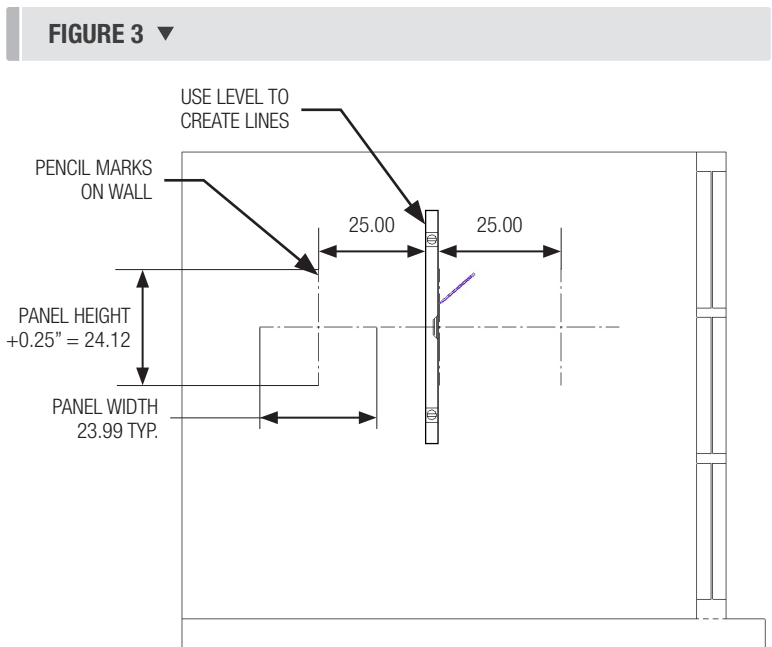
# AMP PANELS

## INSTALLATION INSTRUCTIONS

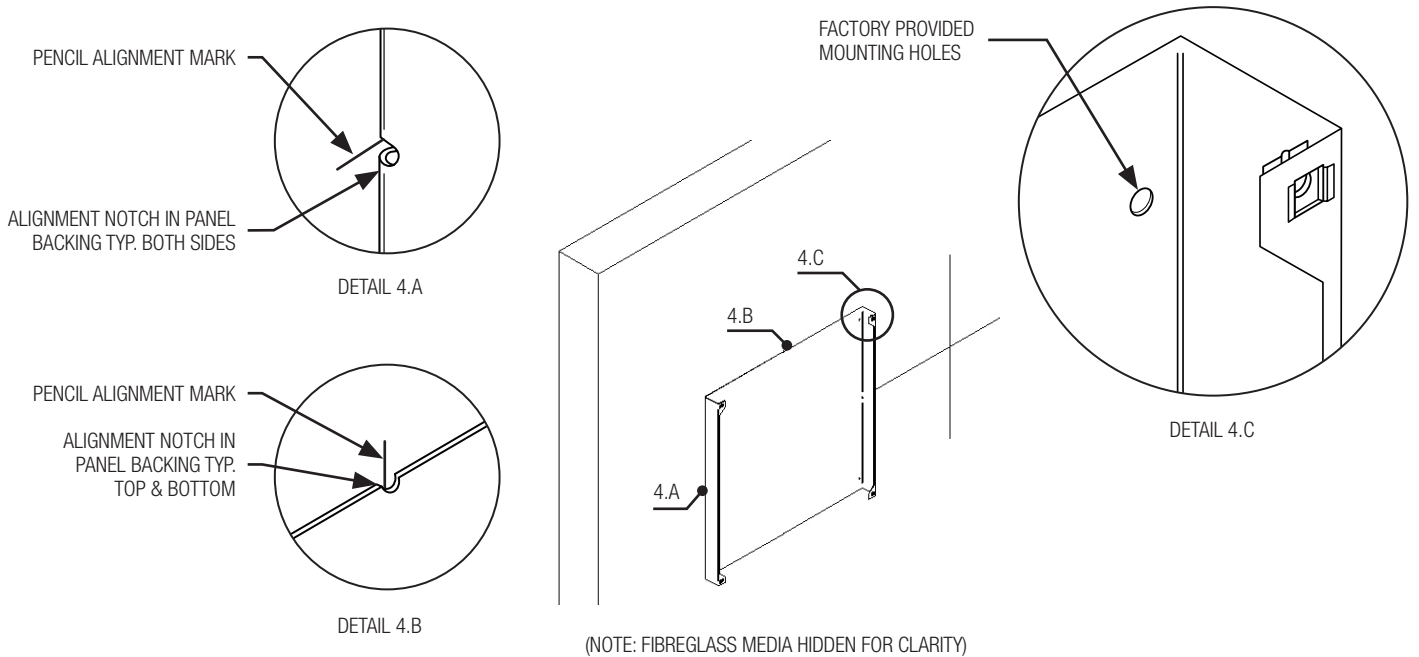
1. Price AMP panels are shipped fully assembled.
  - Remove ¼" face screws and remove perf skin from panel
  - Place perf skins, face up on flat, smooth surface to reduce any potential finish damage
2. Refer to any supplied array layout drawings. See figure 2 for example.
3. Determine desired location of panel(s) on wall surface (see figure 3). Using a level, mark the following:
  - Horizontal centerline approx. 1/4" longer than width of panel
  - Vertical centerline approx. 1/4" longer than height of panel

**NOTE:** Refer to any supplied array layout drawings.

4. Hold up panel on wall without the perforated ("perf") skin.



**FIGURE 4** ▼



# AMP PANELS

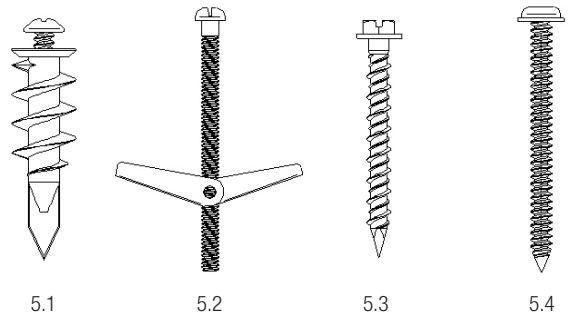
## INSTALLATION INSTRUCTIONS

- Use vertical and horizontal notches to properly align panel on wall (see figure 4) or position panel using a level
- Mark mounting holes on wall (4 per panel)

**NOTE:** If anchors aren't required and depending on mounting surface, a small amount 2-sided tape can be used to temporarily hold panel backing on the wall.

5. Mounting hardware is to be determined and supplied by others.
  - Examples of mounting hardware (see Chart 1):
  - Screw-in style drywall anchors (min #8, 75# pullout)
  - Toggle style anchors (min 35# pullout)
  - "Tapcon" concrete anchors (min 3/16" size)
  - General purpose washer-head wood screws (min #8 size)

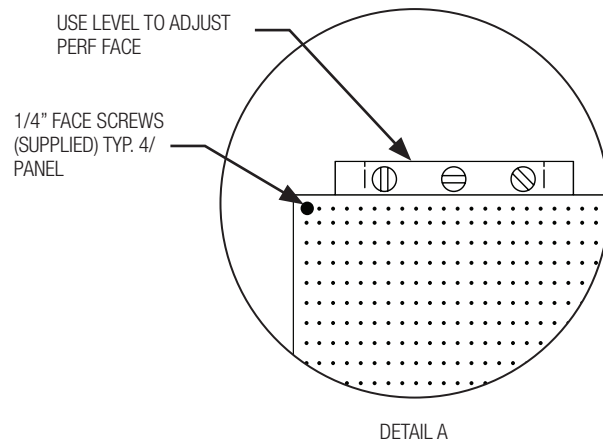
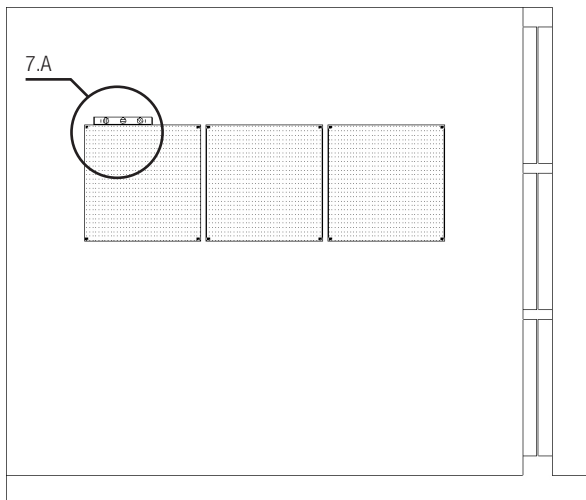
**FIGURE 5 ▼**



PANEL BACKING FASTENER OPTIONS

- 5.1 - SCREW-IN STYLE DRYWALL ANCHOR #8 - 75# PULL OUT
- 5.2- TOGGLE STYLE DRYWALL ANCHOR 1/8" -35# PULL OUT LENGTH - TBD
- 5.3 - "TAPCON" CONCRETE SCREW 3/16" DIA - LENGTH TBD
- 5.4 - WASHER-HEAD WOOD SCREW #8 (MIN) X LENGTH TBD

**FIGURE 7 ▼**



---

This document contains the most current product information as of this printing.  
For the most up-to-date product information, please go to [priceindustries.com](http://priceindustries.com)

© 2022 Price Industries Limited. All rights reserved.

**PRICE**<sup>®</sup>

The Science of Comfort<sup>™</sup>